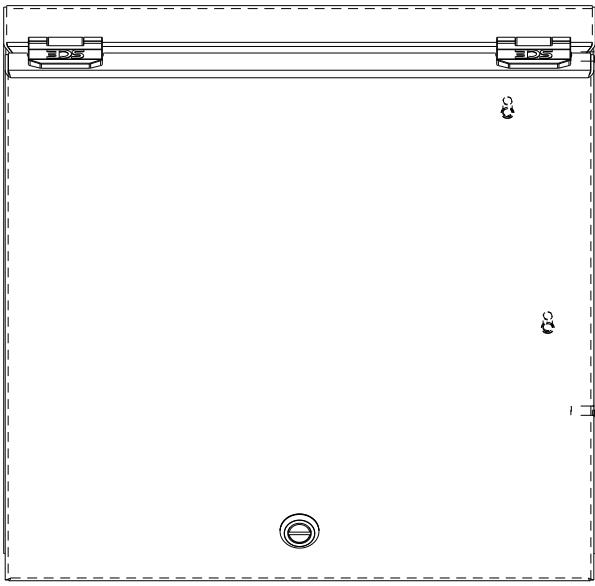
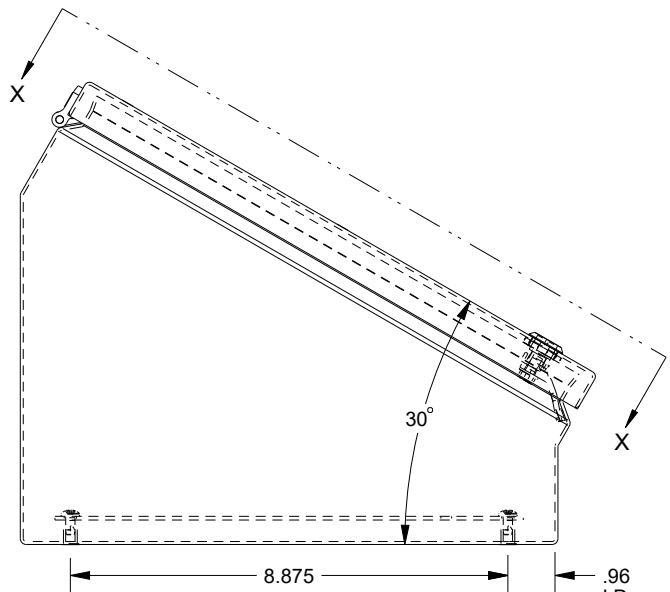


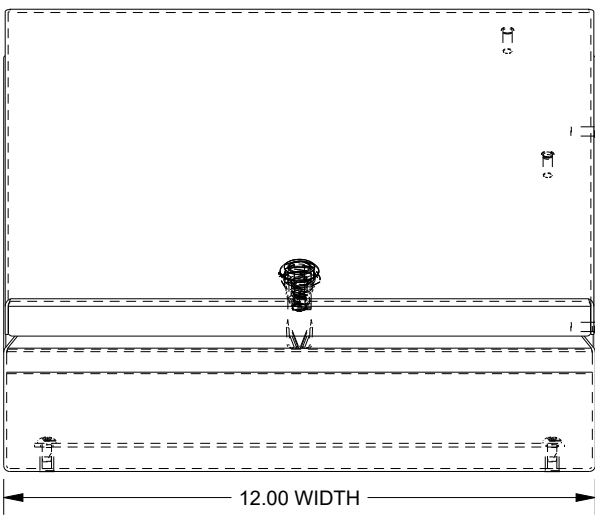
SAGINAW CONTROL & ENGINEERING SCE-12C12ELJSS



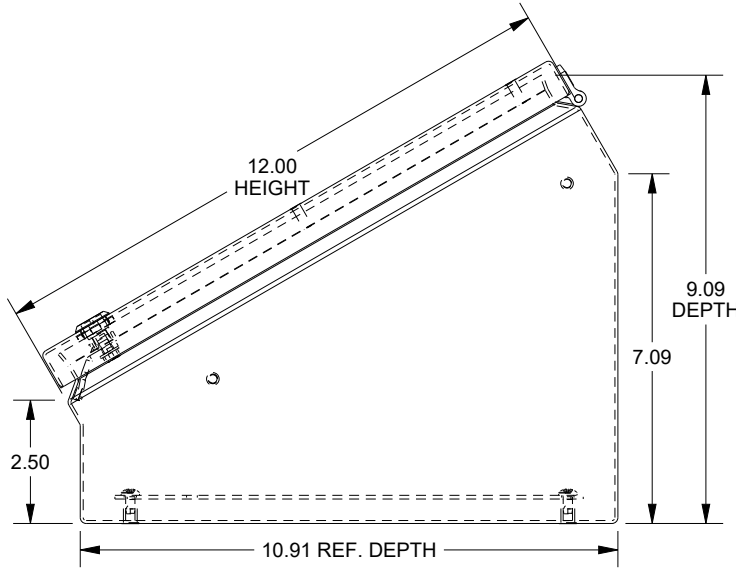
TOP VIEW



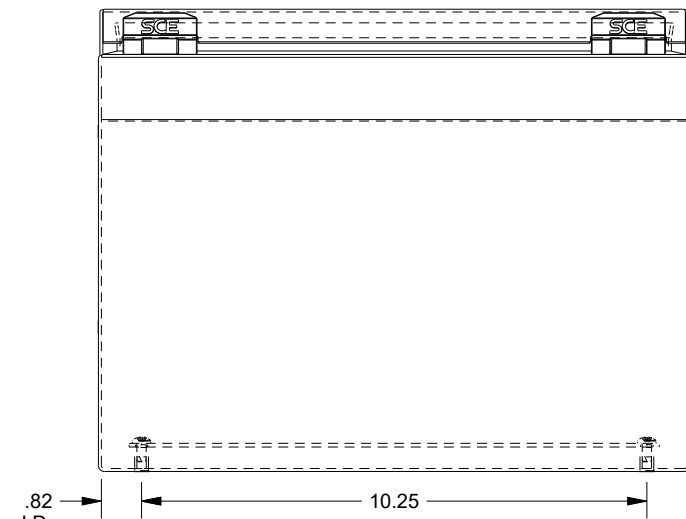
LEFT SIDE VIEW



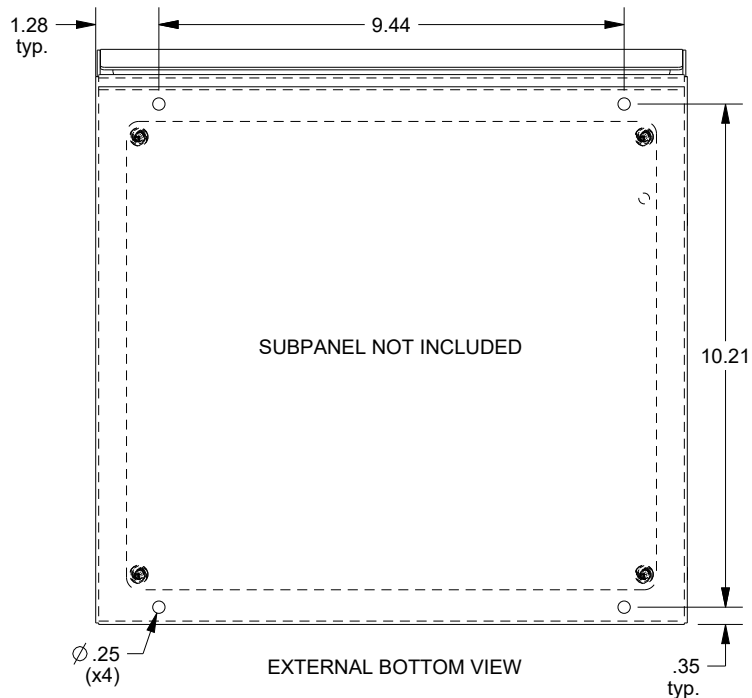
FRONT VIEW



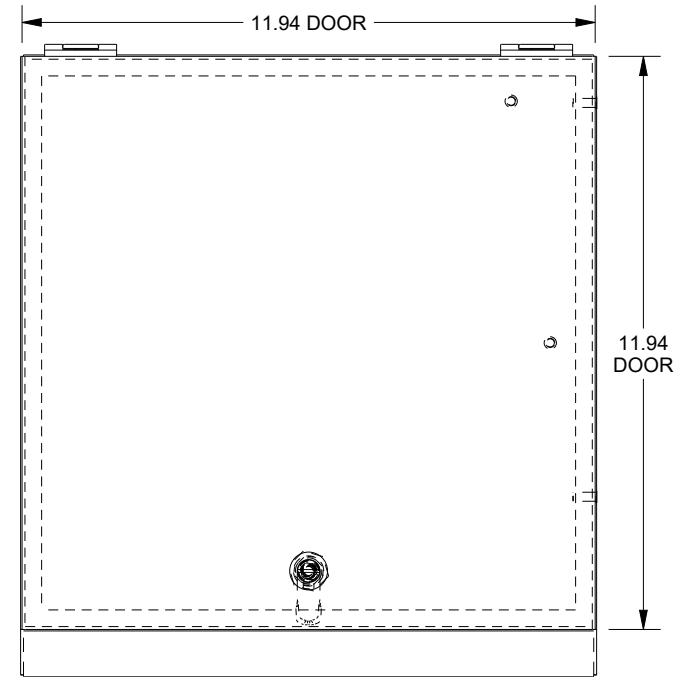
RIGHT SIDE VIEW



REAR VIEW



EXTERNAL BOTTOM VIEW



SECTION X-X
SCALE 0.250